

Steeple News
2011

April



MAY THE
GRACE
OF THE LORD
BE UPON
YOU



From the Pastor

In the past several weeks a team made up of a cross section of the congregation met after Sunday worship to discuss the past, present, and future of First Congregational Church. First, we discussed what type of pastor they would like to have. We broke up the discussion into the personality of the pastor, the gifts of the pastor, and finally the qualities of a pastor.

Some of the ideas that arose were a pastor who had the gift of healing and the skill of preaching and counseling. They talked about a pastor who had the quality of honesty and confidentiality and the gift of teaching. Someone suggested a pastor who could put out fires and walk on water...

Near the last meeting, the group talked about the past and present, especially the last ten years. A lot of soul searching ensued. There was laughter and tears. Some expressed anger and frustration, but all in all there was a time of catharsis where everyone felt they had made a break through.

After Easter a new group will form to continue the visioning of the church. This time around we will be dreaming about the future of First Congregational. There is so much for us to look forward to in the coming months. I hope you will want to be a part of things to come.

Speaking of things to come, we will have a Lenten series each week in April until Easter. We will meet at the church for a movie viewing and a study to follow. Among the movies that will be shown are *Chocolate*, *Moonstruck*, *Seven Pounds*. I hope you will sign up for these events of fellowship,

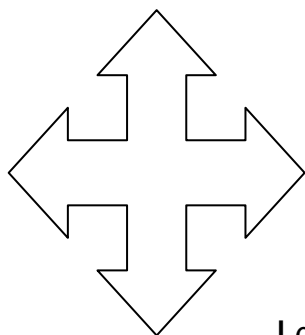
entertainment, and study.

Finally, on Pentecost Sunday (June 12) three of our young people will be confirmed: Alex Burnham, Korey McDonald, and Quinn Holler. This is a very special moment for these confirmands so I hope you will be there to support them in this very important decision in their lives.

The church in Berlin Heights is alive and well and following the cause of Christ in the world. Aren't you glad you are a part of it?

Peace and love,

Pastor Gary Proietti



Lenten series Sunday, April 3, 10, and 17th following fellowship hour at 1:00p.m. We will meet for a movie viewing and a study to follow. Dress is casual and snacks will be served. Among the movies that will be shown are *Chocolate*, *Moonstruck*, *Seven Pounds*.



**Maundy Thursday Service
April 21 with communion
in our sanctuary at 8:00p.m.**



April 22 - Good Friday Services
At Lakeview Methodist Church at 3:00p.m.



Sunrise Service at 6:30am followed by the
Kiwanis Pancake Breakfast at 7:00a.m. in the Fowler room at our church
Sunday School Classes at 9:15a.m.
Easter Service at 10:30a.m.



Remember in Prayer: Phil Grech and family, Judy Shover, Dick Angelo, Georgiana Rush, Shawn Sarrica, Pat Clemens, Lisa Adams, Marie Bonnaminio, Jerry Dennis, Penny Plue, the family of Pauline Ward, People of the Middle East, People of Japan, Celeste Bonnaminio Kelly, Lynda Reising, Jacqueline Harward, Lynn Green, Homer Dalton, people fighting cancer.

Thank You

Greetings from Biloxi! I want to offer thanks on behalf of our Board of Directors, our staff, and all those we serve for your recent gift to Back Bay Mission. Your continuing support is absolutely essential to this ministry. May God's blessing show you with life abundant in 2011!

Peace,

**Marie Watson, Director of Development
Back Bay Mission.**

Thanks to Brad Phillips for all his work for the church. —Mary Ann Robinson

Welcome to New Member

Melissa Johnson and daughter, **Sydney**.

Sydney was baptized on March 6th.



FROM POINT OF LIGHT MISSIONS:

The Secret Prayer Pal Program for this year is winding down. On **April 6**, we will be revealing everyone's pal. We will gather **at 7:00** in the Fowler room where light refreshments will be served. Anyone that would like to participate in next year's program please see Becky Coleman for a form to fill out. If there is enough interest, we will be drawing new pals for the coming year, that evening.

—Becky Coleman

Community Center Update

The Berlin Heights Community Center continues to be a great asset to the residents of the village and township. Both Angels Closet and Angel Food operate on the premises. In addition Cub Scouts continue to use the building for evening meetings. A community orchestra is forming and the group has asked for, and received, the cooperation of the center as a focal location for the orchestra.

The Boys and Girls Club of Berlin Heights, which occupies the building during after-school hours, provided one of the highlights of March when a dozen B&G kids performed a play on March 20th. The play cast, with Heather Lambert (playing a witch) in the lead, presented "Piggie Pie". The presentation was fun, enjoyable, and extremely well done. Donations received from audience members were all then forwarded to the Community Center as a gift from the B&G Club. We thank the kids and their adult leaders for the contribution to the Center.

Recent actions taken by the board of the center include the posting of emergency numbers in case of various adverse situations which may occur there. In addition, the fire extinguishers in the building will now be marked with proper signage. A water leak was repaired and a new set of faucets installed in the upstairs kitchen room. In addition, an Eagle Scout project, replacing the rear outside steps, is expected to be completed soon.

Plans have been made by the board for a raffle fundraiser to take place this summer, culminating at the end of the Basket Festival. An additional fundraising entertainment is being planned for this fall, probably October.

The board of directors of the Berlin Heights Community Center currently meets every two weeks at 6p.m. on Tuesday evenings. The next two meetings are on April 5th and April 19th. Anyone with a positive outlook towards the center is welcome to attend.

-Glen Bernhardt Chairperson BHCC

Lectionary Scripture

Sun., Apr. 3

Fourth Sunday in Lent

1 Samuel 16:113

Psalm 23

Ephesians 5:814

John 9:141

Sun., Apr. 10

Fifth Sunday in Lent

Ezekiel 37:114

Psalm 130

Romans 8:611

John 11:145

Sun., Apr. 17

Passion Sunday/ Palm Sunday

Palms

Psalm 118:12,

1929

Matthew 21:111

Passion

Isaiah 50:49a

Psalm 31:916

Philippians 2:511

Matthew 26:14—27:66

or Matthew 27:1154

Sun., Apr. 24

Easter

Acts 10:3443

or Jeremiah 31:16

Psalm 118:12,

1424

Colossians 3:14

or Acts 10:3443

John 20:118

or Matthew 28:110

Revised Common Lectionary Daily Readings, copyright © 2005 Consultation on Common Texts. commontexts.org. Used by permission. This resource may be reproduced by congregations for their own worship and educational activities. Provided by the Massachusetts Conference, United Church of Christ – made possible by Our Church's Wider Mission Basic Support.

During Holy Week, the congregation follows the footsteps of Jesus from his entry into Jerusalem (Palm/Passion Sunday) through the Last Supper (Maundy Thursday) to his death on the Cross (Good Friday). Red, the color of blood and therefore of martyrs, is the traditional color for Palm/Passion Sunday and the next three days of Holy Week. On Maundy Thursday, White or Gold symbolizes the church's rejoicing in the sacrament of the Lord's Supper. At the end of the Maundy Thursday celebration, the mood changes abruptly: all decorations are removed and the Holy Table is stripped bare. The church becomes as empty as a tomb. On Good Friday, either Black or Red is customary—although the use of no color at all is also appropriate. The Red of Holy Week is sometimes a deeper red than the brighter scarlet color associated with Pentecost.

—Samuel ucc.org Diaconate

Maundy Thursday Breakfast at First Faith Community Church

The Women of First Faith Community Church, Sandusky invite you to our 42nd annual Maundy Thursday Breakfast. The breakfast will begin t 9:30 a.m. on April 21, 2011. Kathy Gengler will share her love of tea cups and stories with you. **Reservations to Pauline Malone by Sunday, April 17, 2011.** —Women's Fellowship

Save Used Postage Stamps and Telephone Cards

Women's Fellowship is saving used postage stamps and telephone cards to benefit Bote von Bethel in Germany. This is a mission that helps people who have MR/DD. Bring the stamps and place them on the cupboard in the Fowler Room. A collection box will be available soon.

—Women's Fellowship

Steve & Rev. Joyce Schroer's new address:

1972 Liberty Dr NE
Louisville OH 44641



Announcing

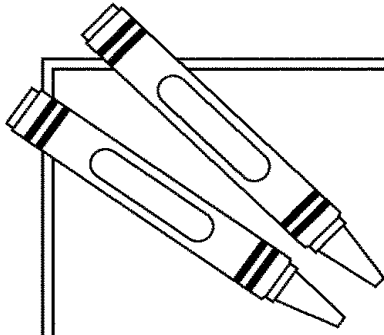
Berlin Heights Community Orchestra

Looking for members of all ages and skill levels.

You will need a passion for playing with a group and to own an instrument.

Children under the age of 16 must have the recommendation of their teacher.

For more information please call, **Linda Phillips** at 419-588-2497.



Just for KIDS

Matthew 4:10

Find the words that fit these definitions. You may use a dictionary or check in a church bulletin or hymnal. Write the letters from the words on the lines below.

A song sung in church _____
1 2 3 4

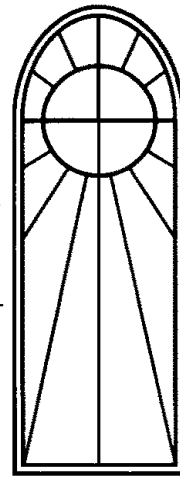
Money given in church _____
5 6 7 8 9 10 11 12

"The Lord's _____"
13 14 15 16 17 18

What we find written in the Bible:
God's _____
19 20 21 22

Another word for Bible verses _____
23 24 25 26 27 28 29 30 31 32

Warm feeling in your heart _____
33 34 35 36



" _____
19 5 9 23 1 10 13 28 1 8

_____ _____ _____
33 5 9 22 2 5 29 9 12 5 22

_____ _____
15 4 22 23 8 9 35 17

_____ _____
5 4 33 2 1 10 3

Matthew 4:10b

Fisher-Titus Medical Center Health Ministry Program

April is National Occupational Therapy Month. According to The American Occupational Therapy Association (www.aota.org) occupational therapist and occupational therapist assistants help people of all ages to do activities of everyday living. The therapist can help in a variety of ways, such as: helping children with disabilities participate fully in school and social functions, helping someone recover from an injury and relearn skills as well as helping older adults adapt to physical and cognitive changes.

The occupational therapist would first do an evaluation of the person and the person's environment and develop a plan to help the person to improve their ability to perform daily activities and reach their goals.

This could include an evaluation of the home or other environment such as work or school, make recommendations for adaptive equipment and how to use the equipment and then evaluation of the progress and make necessary changes. The therapist will also give guidance to family members or caregivers.

Some of the people occupational therapist may work with are premature newborns, children with cerebral palsy, Down syndrome, other disabilities as well as individuals in homes, community center, rehabilitation centers working with people who have had traumatic injuries, stroke, Alzheimer's, and mental health problems. The goal is to help people live productive lives and have fulfilling occupations.

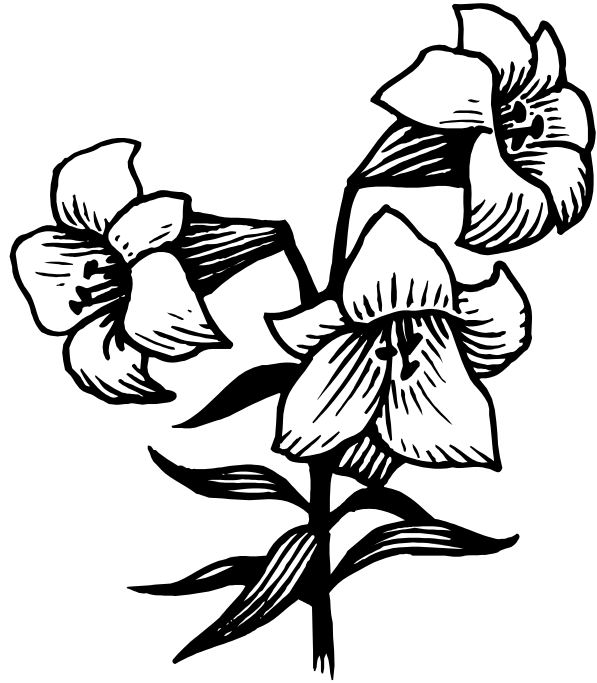
If you know an occupational therapist or assistant thank them for all they do.

"The Lord your God may bless you in all the work of your hands."

Deuteronomy 24:19b.

Deb Oehling, RN

**EASTER
LILY
Order Form**



**Due by April 15
To: Diane Willis**

Easter Lily 4-Blooms per plant

Cost (per plant) \$9.00

How many : _____

Total Due: _____ (When ordered)

**Name _____
Please Print**

In Memory of _____

In Honor of _____



Family Fun Day



This is a digital menu for a game show. At the top, it says "ALL ABOUT THE GAMES" in white text on a dark blue background. Below this, there are various game-related icons: a hand of cards, a yellow rubber band, a glass with a white ball, a broom, and a can. In the center, it says "FIND YOUR FAVORITE GAME" in white text, followed by a yellow button with the word "NOW!" in black. Below this are four buttons with game names: "DIZZY MUMMY", "DON'T BLOW THE JOKER", "EGG TOWER", and "OH NUTS!". At the bottom right, there is a "MORE >" link. The background of the menu is dark blue with various game-related icons scattered around.

EARTH DAY



Earth Day is a celebration of life on this planet and is celebrated around the world in over 175 countries. It brings focus to environmental and humanitarian issues on a large scale. Earth Day Network was founded on the premise that all people, regardless of race, gender, income, or geography, have a moral right to a healthy, sustainable environment. It will be observed this year on **Friday, April 22**. Are you and your family eco-friendly? There are lots of easy things you can do in your own home and neighborhoods to help save our earth, air, and water. Celebrate Earth Day by learning new ways to protect the environment.

Here are a few ideas to help you get started:

1. Start a compost in your back yard or patio.
2. Turn off lights and electronics when you leave the room.
3. Recycle your newspapers, aluminum cans, and plastic bottles.
4. Ride a bike or walk for short errands.
5. Buy products that use recycled materials whenever possible.
6. Bring your own bags to the grocery store.
7. Consider organic cleaning products like vinegar, lemon juice, and baking soda.
8. Take your batteries to a recycling center.
9. Don't run the water while brushing your teeth.
10. Lower your thermostat.

Don't dump it, donate it! Good Will in Huron and Sandusky take old computer components and recycles them. The Habitat Restore will take new and used items to sell. Please contact the store for details.

—Point of Light

Church Council 2011

DAN POGACSNIK- MODERATOR

440-839-1300 pogacsnik@frontier.com

MATT OLD- VICE MODERATOR

419-602-7815 mathewold@yahoo.com

CONNIE DEEHR- CLERK

419-588-3415 deehr@netzero.com

LINDA PHILLIPS- CONTRIBUTION SECRETARY

419-239-3652 lsphillips50@frontier.com

LINDSAY ARUSKEVICIUS- TREASURER

419-239-8626 aruskevicius@gmail.com

MISTY MCDONALD-SUNDAY SCHOOL SUPERINTENDANT

419-588-2574 jeffandmisty@frontier.com

WILLIAM DEEHR-DIACONATE CHAIRPERSON

419-588-3415 deehr@netzero.com

ROGER WALLACE- DIACONATE VICE-CHAIRPERSON

440-839-2971 rwallace@landolakes.com

LISA ROBSON- BOARD OF CHRISTIAN EDUCATION CHAIRPERSON 440-839-5191 lrobson@lcjvs.net

PAULINE MALONE- WOMEN'S FELLOWSHIP CHAIRPERSON

NWOA DELEGATE 419-588-2170 PaulineMarie4@aol.com

JOHN HARTMAN- TRUSTEE CHAIRPERSON

419-588-2633

BARB BEMENT- CHRISTIAN ENLISTMENT CHAIRPERSON

440-839-2264 barbbement@frontier.com

BECKY COLEMAN- POINTS OF LIGHT CHAIRPERSON

SUNSHINE CHAIRPERSON 419-588-2473

Diaconate 2011

WILLIAM DEEHR 419-588-3415 (HOME)
(CHAIRMAN) deehr@netzero.com
SOCIAL HOUR

ROGER WALLACE
(VICE-CHAIRMAN) 440-839-2971 (HOME)
CHILDREN'S 440-315-5931 (CELL)
MOMENTS rwallace@landolakes.com

NORMA ROBSON 440-839-2204 (HOME)
SCHEDULE USHERS tnrobson@frontier.com

SANDY SHIVELY 419-588-2137 (HOME)
ASSIGN LITURGIST 419-503-5442 (CELL)

BILL COLEMAN 419-271-6424
COMMUNION BColeman@uchinc.org

AMY POGACSNIK 440-839-1300 (HOME)
SECRETARY 419-554-0043 (CELL)
COMMUNION pogacsnik@frontier.com

KIRSTEN GRECH 419-588-2575 (HOME)
ACOLYTES kirstengrech@aol.com

GRANT COLEMAN 419-588-2473 (HOME)
ALTER FLOWERS 419-239-8866 (CELL)
CLOTHS & CANDLES grantcoleman@gmail.com

TOM HOLLAND 419-625-5907 (HOME)
ALTER FLOWERS jhollandatcedarpoint@gmail.com
CLOTHS & CANDLES

ALEXIS BURNHAM 419-588-9018
NURSERY gcheeraddict1361@gmail.com

DIANE WILLIS 419-239-4276 (CELL)
NURSERY willisdiane@yahoo.com

MIKE DRAKE 419-541-0445 007drake@msn.com

The Community Egg Hunt

Sat., April 16th at 10:00a.m.

Sat., April 23rd as the raindate.

We will stuff eggs at 6:00 p.m. on Sunday,

April 10th in the Fowler room at the church.

Many hands help to make the task much easier!

—Bobette Nemire

Stein Hospice Caregiver Day

Stein Hospice invites all caregivers to an informative presentation on Estate Planning and Elder Law on **Saturday, April 30, from 1 p.m. to 5 p.m.** at the Sutton Center, 1848 E Perry St., Port Clinton.

Refreshments and door prizes.

The event is free but registration is required.

Contact Ann Davis, 1-800-625-5269 or adavis@steinhospice.org.

48th Annual Meeting Northwest Ohio Association

Ohio Conference, United Church of Christ

"Imagine What's Possible..."

God Is Still Speaking"

April 30, 2011 with Mr. Ron Buford

– Keynote Speaker

St. John's UCC 68 Park Avenue East,

Mansfield, OH 44902

Phone 419-522-2813

8:00 am Registration 3:30 pm Adjournment

—NWOA Annual Meeting

April 3 Kelly & Linda Moon
April 4 Nathan Nemire
April 5 Brad & Linda Phillips
April 6 Matthew Lux
April 8 Erika Kohler
April 8 Jarod Turton
April 8 Chelsea Jamison
April 8 Lanease Cook
April 9 Mary Jane Hill
April 11 Adam Lane
April 12 Otis & Fran Malone
April 14 Nancy Wallace
April 14 Aurora Bragdon
April 15 John Townsend
April 16 Kyle McDonald
April 19 Ron Lindner
April 20 Lisa Nash
April 20 Andy Aruskevicius
April 21 Carl Krueger
April 22 Ryan Schroer
April 23 Steve & Kathy Deehr
April 23 Martha Wright
April 25 Amy Turton
April 26 Mary Ann Robinson
April 27 Norma Arwood
April 29 Pauline Malone
April 30 Christina Deehr

April
Birthdays
And
Anniversaries

Acolytes: Sydney Johnson

Liturgist: Marianne Snyder

Children's Story: Alexis Burnham

Nursery:

Coffee Hosts: Christian Ed & Youth

Apr. 24

Ushers: Grant Coleman,

Amy Pogacsnik, Sandy Shively

Acolytes: Valerie Deehr

Liturgist: Pauline Malone

Children's Story: Pauline Malone

Nursery:

EASTER

Coffee Hosts:

PAX

PEACE

First Congregational Church and Society
United Church of Christ

Reverend Gary Proietti

5 E. Main Street

P.O. Box 66

Berlin Heights, OH 44814

419-588-2102

