

Steeple News
March 2011



Website
is
Officially up and running!



<http://www.thebigwhitechurch.com>



Rev. Gary Proietti's Message:

It has been my privilege to talk to members and friends of First Congregational Church over the past two months. Everybody has been cordial and welcoming to me as we talked over matters of church and community. Some have expressed emotions ranging from anger to sadness. Others are grieving the loss of a beloved pastor while others are feeling bewilderment over the course of events during the past six months. Some of the specific concerns of a good number of people have been the handling of finances and the balancing of the budget. These are all valid apprehensions about the present state of Berlin Heights First Congregational Church and it will take all of us working together to turn things around.

No matter where people stand on the issues, one thing is clear; everyone is concerned about the future of the church and community. Both depend on the resources and efforts of the people of Berlin Heights. We all must focus our efforts away from our personal agendas and toward the wellbeing of this historic community. The only thing that can revitalize an already dynamic congregation is for everyone to join together to make things happen for the good of the church.

Since I have arrived in Berlin Heights, I have worked diligently to see to it that there are checks and balances in the decision-making processes of the church. All finances and expenditures will be transparent and there will be collaboration among the council, the trustees, and the congregation. Your elected leaders are working in a spirit of cooperation to keep the business of the church running smoothly and effectively.

There will be no unauthorized or secret meetings and everyone will get a chance to voice his or her opinions. Meetings will be run with decorum and civility as we deliberate the business and worship of the church. No one will be shamed or blamed as we will work in tandem to bring about a spirit of cooperation and coordinated mission.

In the meantime people are watching to see how we can handle the conflict surrounding the church. The community is watching our Christian commitment to God, the church, and each other. Our youth are waiting to see what it means to be disciples of Jesus by how we relate to each other with respect, trust, and love. God is watching to see that we treat each other as brothers and sisters in Christ by fulfilling his mandate to go and proclaim his Gospel.

Today, I ask you with the heart of a pastor, to work with me in the mending and eventual revitalization of our beloved church. I cannot do it alone. I need your help. Won't you be in prayer for the sake of the sacred mission of First Congregational Church and Society? Won't you stand behind your church officers, leaders and workers to make the Inspirational Big White Church on the corner of South and Main a lighthouse of God's eternal love and grace?

For the sake of Christ and the world,

Rev. Gary



Congratulation and Best Wishes to
Ben and Brooke Gammie on
the birth of their daughter, **Payton Laretta**
born on January 27, 2011.

Remember in Prayer:

Amy Pogacsnik's sister Pat Clemens, boy with eye problem, The Gray family, Carla Bottilier, Amber Harkey, victims of Tucson Massacre, Lindsay Aruskevicius, the family of Monica Rose, Marianne Snyder's friend, Amy 's daughter who slipped on the ice and broke her wrist and leg, Liana Holland, Lisa Adams, Greer Wahl, Pauline Ward, the family of Delores Coy, Trinity Schafer, Willie Weiss, the people of the Middle East, all those in conflict, Marie Bonnaminio, and Pauline Malone's sister Joyce.

Thanks and Gratitude:

I thank all of you who upon hearing of the death of my dear Ruth on January 17th , sent kind notes of sympathy and told of her admirable and endearing qualities. Myelodyspasia, failure of the bone marrow, took her down after a year. She tried to keep a normal routine to the end. Twelve of her closest were at her bedside and gave her thanks for her love and major influence in their lives. She kidded us, said we were too lavish, thanked us, went to sleep after saying, "For whom the bell tolls." As a major part of all of us died with her, we know it tolls for us. We were married 70 years. She was my pal for 76. Her smiling image on my desk top now is so precious.

Grafton "Mac" Thomas (Pastor from 1948– 1952)

grtom@charter.net (231) 386-7169

SHARING BRINGS JOY

TO US. TO OTHERS. TO GOD.

Dear Friends in Christ,

Thank you for your support of the One Great Hour of Sharing offering.

OGHS is administered by Wider Church Ministries of the United Church of Christ and provides support to people in over 80 countries. When you make a gift to the offering, you become a partner in the refugee, disaster relief, and community development efforts of the UCC in the United States and internationally. Through this refugee, relief, and development fund, lives are changed. Sharing brings Joy!

ONE GREAT HOUR OF SHARING — FOURTH SUNDAY OF LENT

Channels resources for international programs in health, education and agricultural development, emergency relief, refugee ministries, and both international and domestic disaster ministries.

April 3, 2011

—OGHS ucc.org



Stewardship Message: Lenten Self-examination

“Yet even now, says the Lord.” Joel 2:12

Traditionally in the season of Lent we are called to self-examination. We’re called to look at our lives, to remember the words we wish we had not said or the actions we regret doing, or *not* doing. We’re invited to take a deep, honest look at ourselves, to try to see our lives as God sees them, and to understand we are being held accountable for how we spend this one life we are given. The point of this is not to then wallow in how awful we are or to despair in our weakness. The point is to repent, to turn around and to renew our dedication to our baptismal vows. As the prophet Joel said to Israel, God is ready and waiting to work beside and inside you. God is ready to empower you to do great things!

What if we understood Lenten self-examination to apply to congregations as well as individuals? What might we discover in our churches if we spent six weeks examining how we are living into God’s call to us as a community of faith? Some churches might despair in their lack of resources or people or energy, but the point is not to wallow in the “**ain’t it awfuls!**” The point is to invite God in all over again and discover what new thing God might do in you as a congregation. “Yet even now,” God is waiting!

Rochelle A. Stackhouse is the Senior Minister of The Church of the Redeemer, United Church of Christ, New Haven Connecticut.

March 2011

God is still speaking.



This resource is a free service and is made possible by your gifts to Our Church's Wider Mission.

Lectionary Scripture

March 6, 2011

Last Sunday
after Epiphany (Transfiguration)
Exodus 24:12-18
Psalm 2 or Psalm 99
2 Peter 1:16-21
Matthew 17:1-9

March 9, 2011

Ash Wednesday

Joel 2:1-2, 12-17 or Isaiah 58:1-12
Psalm 51:1-17
2 Corinthians 5:20b-6:10
Matthew 6:1-6, 16-21

March 13, 2011

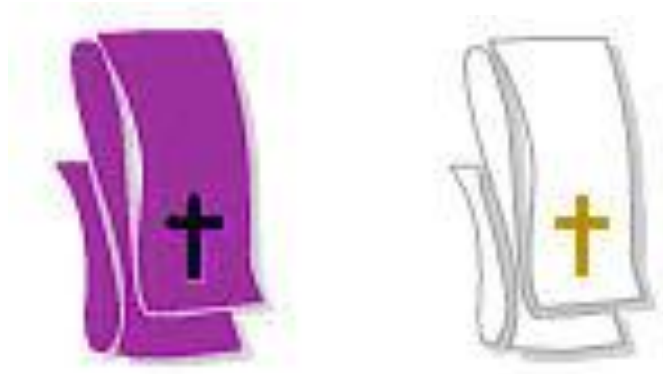
Genesis 2:15-17; 3:1-7
Psalm 32
Romans 5:12-19
Matthew 4:1-11

March 20, 2011

Genesis 12:1-4a
Psalm 121
Romans 4:1-5, 13-17
John 3:1-17 or Matthew 17:1-9

March 27, 2010

Exodus 17:1-7
Psalm 95
Romans 5:1-11
John 4:5-42



Lent (liturgical color: **purple**): Lent begins on Ash Wednesday and lasts until Holy Week. All of the readings of this season focus on the ministry of Jesus as the events that led up to his trial and death.

Easter (liturgical color: white and/or **gold**): The Easter season begins with Easter Sunday, which follows Holy Week, and ends forty days later on the day of Ascension. All of the Easter readings are from the scriptures that describe the days after the death and resurrection of Jesus Christ.

—Diaconate



Thanks to all who participated at February 20th Women's Sunday service. The **Chancel Choir** music, **Nan Link and Linda Phillips, Janice Bostic, Valerie Deehr, Trish Bragdon, Diane Willis, Wilma Jean Kernell, Norma Robson, Barb Bement, Marianne Snyder, Pauline Malone, and Sandy Shively** for serving. A special thanks to **Amy Pogacsnik** and her message "GOD'S View of Who You Are." Also a special thanks to **our musicians Kory and Kyle McDonald.**

—Women's Fellowship

Hands Wide Open”

Lent is a time of spiritual discipline in preparation for the celebration of Easter. At root, penitence, like repentance, involves a turning away from self-reliance to trust in God—a change of mind and life direction evoked by the good news of Jesus Christ.

At heart, stewardship is about where we place our trust. It is less about possessions than possessiveness. Our capacity to love is hampered by our need to have. This is an issue of control: How much must I maintain to feel secure? Stewardship is a spiritual discipline that loosens our grip on what we have for the sake of what we love. Loving and trusting God in the spirit of Christ, we live and give more freely and openly, less anxiously, less selfishly, more generously.

An ancient rabbi wrote, “**We are born with our fists clenched and die with our hands wide open.**” The plain facts of life and death confirm God’s will and point to God’s way for us. In effect, we have to find a way to hold onto life with **open** hands. That is the Lenten discipline of stewardship: learning how to hold what we have less tightly, without clutching, more openly and hopefully—turning toward God, hands open.

—Mission Moment ucc.org

Pancake Supper



Lakeview Methodist Church at
6 South Street, Berlin Heights

invites us to their annual pancake dinner on Shrove Tuesday, March 8th, time to be announced. Donations accepted.

—Lakeview Methodist Church

Would there be any interest in making Rain Barrels?

What are the advantages of a rain barrel?

Lawn and garden watering make up nearly 40% of total household water use during the summer. A rain barrel collects water and stores it for when you need it most -- during periods of drought -- to water plants, wash your car, or to top a swimming pool. It provides an ample supply of free "soft water" to homeowners, containing no chlorine, lime or calcium making it ideal for gardens, flower pots, and car and window washing. A rain barrel used to collect rooftop runoff using a gutter / downspout system.

A rain barrel will save most homeowners about 1,300 gallons of water during the peak summer months. Saving water not only helps protect the environment, it saves you money and energy (decreased demand for treated tap water). Diverting water from storm drains also decreases the impact of runoff to streams. Therefore, a rain barrel is an easy way for you to have a consistent supply of clean, fresh water for outdoor use, FREE.

—epa.gov

—Point of Light / Bob Bement

AngelFood

MINISTRIES

MARCH 2011
MENU

B2 - BIT O' BLESSING BOX (Limited Quantities) \$21 (plus sales tax where applicable)

| | | |
|----------------------------------|---------------------|--------------------|
| 2 lb. Chicken Stir Fry | 1.5 lb. Meatballs | 1 lb. Veggie Blend |
| 2 lb. Chicken Fettuccini Alfredo | 1 lb. Ground Beef | 1 lb. Green Beans |
| 2 lb. Lasagna | 24 oz. French Fries | 1 lb. Frozen Mango |

B1 - "BREAD OF LIFE" SIGNATURE BOX \$31 (plus sales tax where applicable)

| | | | |
|-----------------------------------|------------------------------|-----------------------|-----------------------------|
| 3 lb. (avg.) Split Chicken Breast | 1 lb. 80/20 Lean Ground Beef | 1 lb. Pasta | 10 ct. Instant Oatmeal |
| 2 lb. IQF Flounder Fillets | 1 lb. Deli-style Turkey Loaf | 25 oz. Pasta Sauce | (2 x 5 ct. boxes) |
| 2 lb. Ham Chowder | 1 lb. Peas | 8 ct. Flour Tortillas | 32 oz. 2% Shelf-stable Milk |
| 3 lb. IQF Chicken Drumsticks | 1 lb. Green Beans | 1 pk. Taco Seasoning | 1 dz. Eggs |
| 1.5 lb. Boneless Pork Chops | 1 lb. Carrots | 7 oz. Corn Muffin Mix | Dessert |

B3 - BOUNTIFUL BLESSING BOX \$41 (plus sales tax where applicable)

| | | | |
|-----------------------------------|------------------------------|-----------------------|-----------------------------|
| 3 lb. (avg.) Split Chicken Breast | 1.5 lb. Hamburger Patties | 1 lb. Green Beans | 6.9 oz. Beef Flavored Rice |
| 2 lb. IQF Flounder Fillets | (4 x 6 oz.) | 1 lb. Carrots | & Vermicelli |
| 2 lb. Ham Chowder | 1 lb. 80/20 Lean Ground Beef | 1 lb. Pasta | 7 oz. Raspberry Muffin Mix |
| 2 lb. Beef Stir Fry Meal | Beef | 25 oz. Pasta Sauce | 10 ct. Instant Oatmeal |
| 3 lb. IQF Chicken Drumsticks | 1 lb. Deli-style Turkey Loaf | 8 ct. Flour Tortillas | 32 oz. 2% Shelf-stable Milk |
| 2 lb. Lasagna | 2 lb. Tomato Basil Soup | 1 pk. Taco Seasoning | 1 dz. Eggs |
| 1.5 lb. Boneless Pork Chops | 1 lb. Peas | 7 oz. Corn Muffin Mix | Dessert |

B4 - FAST & FLAVORFUL CUISINE \$28 (plus sales tax where applicable)

- White Chicken Fettuccini Alfredo
- Spaghetti and Meatballs
- Fish Sticks
- Salisbury Steaks
- Chicken Chow Mein
- Turkey and Gravy over Bread Dressing
- Beef Stew
- Boneless Pork Patty with Barbecue Sauce
- Meatball Stroganoff
- White Chicken and Penne

GLUTEN FREE! B5 - ALLERGEN FREE FOOD BOX \$25 (plus sales tax where applicable)

| | | |
|--------------------------------------|--------------------------------------|---------------------------|
| 1 lb. Breaded Chicken Breast Nuggets | 1 lb. Breaded Breast Fillet Patties | 1 lb. Breaded Cubed Steak |
| 1 lb. Breaded Chicken Tenderloins | 1 lb. Breaded Boneless Chicken Wings | |

B6 - JUST 4 ME - AFTER SCHOOL BOX \$24 (plus sales tax where applicable)

| | | |
|---|---|---|
| 2 lbs. Fully Cooked Breaded Chicken Breast Pieces | 8 oz. Pocket Sandwich (2 x 4 oz.) | 3 oz. Grilled Cheese Sandwich |
| 1.5 lb. Corn Dogs | 4 ea. (2.8 oz.) Peanut Butter and Jelly Jamwich | 1 ea. (3.4 oz.) Watermelon Italian Ice |
| 10 oz. Mac & Cheese | 4 ea. (4 oz.) Mini Stuffed Sandwiches | 1 ea. (3.2 oz.) Raspberry Fruit Juice Sherbet |
| 16 oz. String Cheese | 6.5 oz. Cheese or Pepperoni Pizza | |

B7 - JUST 4 ME - NO CHILD GOES WITHOUT \$24 (plus sales tax where applicable)

| | | |
|---|----------------------------------|---|
| 10 ct. Instant Oatmeal (2 x 5ct. Boxes) | 7.5 oz. Noodle Rings & Chicken | 1 ea. Chunk Lite Tuna in Water (.5 oz.) |
| 7.5 oz. Beans & Wieners | 7.5 oz. Cheezy Mac 'n Franks | 1 ea. All White Chicken (.5 oz.) |
| 7.5 oz. Cheezy Mac 'n Cheese | 7 ea. Cereal Bowls (.75 oz. ea.) | 6 pk. Applesauce |
| 7.5 oz. Mini Beef Ravioli | 1 ea. Peanut Butter (12 oz.) | 5 ea. Granola Bars (.25 oz. ea.) |
| 7.5 oz. Spaghetti and Mini Meatballs | 1 ea. Pure Honey (12 oz.) | 32 oz. Shelf-Stable 2% Milk |

B8 - JUST 4 ME - FRUIT AND VEGGIE \$16 (plus sales tax where applicable)

| | | |
|--------------------|-----------------------------|--|
| 3 ea. Red Apples | 3 ea. Navel Oranges | 3 ct. Fruit Juice (Mixed Flavors) |
| 3 ea. Green Apples | 1 ea. Stalk, Sleeved Celery | 8 oz. Trail Mix |
| 3 ea. Pears | 1 lb. Mini Peeled Carrots | 3 oz. Dried Cranberries with Honey Roasted Almonds |

B9 - Pastor Joe's Premium Box \$51 (plus sales tax where applicable)

| | | |
|---|---------------------------------------|----------------------------------|
| 40 oz. Black Angus Sirloin Steaks (4 x 10 oz.) | 4 oz. Frozen Steak Fries | 1 lb. Frozen Broccoli Florets |
| 1.5 lb. Large Breaded Oven Ready Butterfly Shrimp | 1 lb. Frozen Green Beans | 1 lb. Frozen Cauliflower Florets |
| 2 lb. Black Angus Steak Burgers (4 x 8 oz.) | 1 (8 ct. pk.) Frozen Corn on the Cobb | 1 lb. Frozen Green Peas |

S1 - MARCH SPECIAL #1 \$25*

| |
|---|
| 4 lb. Steak Special |
| 2 lb. New York Strip Steaks (4 x 8 oz.) |
| 2 lb. Ribeye Steaks (4 x 8 oz.) |

S2 - MARCH SPECIAL #2 \$17*

| |
|---------------------------------|
| 10 lb. Popcorn Chicken Special |
| 10 lbs. Breaded Popcorn Chicken |

*plus sales tax where applicable

Please see our website for online-only specials (Specials 4 and 6)

S3 - MARCH SPECIAL #3 \$23*

| |
|------------------------------------|
| Premium Fresh Fruit and Veggie Box |
| 1 head Iceberg Cello Lettuce |
| 1 head Green Cabbage |
| 1 lb. Cello Carrots |
| 4 Large Baking Potatoes |
| 3 lb. bag Sweet Potatoes |
| 2 lb. bag Yellow Onions |
| 1 Golden Ripe Pineapple |
| 1 Cantaloupe |
| 1 lb. Red Seedless Grapes |
| 4 California Lemons |
| 16 oz. Salad Dressing |
| 1 bag Salad Croutons |
| 1 Recipe Sheet |

S5 - SPECIAL #5 \$36*

| |
|--|
| Pre-Order Easter Holiday Box |
| 7.5 lb. (avg.) All Natural Perdue Roasting Hen |
| 3 lb. Boneless Netted Pork Roast |
| 72 oz. Premium Twice Baked Potatoes (8 ct. - Idaho Russet Potatoes with Applewood Smoked Bacon, Cheddar Cheese, Sour Cream, Butter & Chives) |
| 2 lb. Green Beans |
| 12 ct. Mini Corn Cobettes |
| 12 oz. Combread Stuffing Mix (2 x 6 oz.) |
| 1.7 oz. Brown Gravy Mix (2 x .87 oz.) |
| 12 ct. Whole Wheat Dinner Rolls |
| 2 lb. 5 oz. Mrs. Smith's Apple Raisin Spice Pie |
| 1 Recipe and Cooking Instr. |

ANGEL FOOD

Order Date: Sunday, February 27, 2011 11am Fowler Room/Church
Wednesday, March 9, 2011 11am-1pm BHCC

Church Office: First Congregational UCC
PO Box 66,
5 E. Main St., BH 44184
(419) 588-2102

Distribution Date: Saturday, March 19, 2011 10am BHCC

—Women's Fellowship/Barb Bement

Looking for volunteers on the Angel Food Ministry Team.

Contact Barb Bement (440) 839-2264 or church office (419) 588-2102.

Angel Closet Team

We are thankful for all the donations of clothing for our Angel Closet located in the Berlin Heights Community Center. We are in need of jeans for all ages and children's clothing ages 10-11 especially boys. The response from the community with donations has been multiplied time after time. We see clothing leave and then we receive more. We have been able to share some of the clothing with other area clothing banks. Our clothing space is limited in the Berlin Heights Community Center. We are grateful to the center for their patience and co-operation. Thanks to all the volunteers who sort clothing. Together we are doing the work God intends for us.

—Lisa Robson

To our Angels

Thank you for "sprucing up" the storage room (the old kitchen) and organizing the space at the church. **Tom Holland, John Hartman, Frank Hill, Bob Bement, Bill Deehr, Grant Coleman, Carter and Trish Bragdon and Trinity, and Pauline Malone for a job well done!**

Fisher-Titus Medical Center Health Ministry Program

March is National Kidney Month. The kidneys major function is to remove waste products and excess fluid from your body through your urine.

If your kidneys do not work correctly, or are damaged it is called chronic kidney disease (CKD). CKD can be caused by diabetes, high blood pressure, inherited kidney condition or congenital (meaning born with).

CKD warning signs are: high blood pressure, blood or protein in the urine, abnormal kidney blood test, frequent urination especially at night or painful urination as well as puffiness around eyes or swelling of hands and feet. Detecting CKD early can help to prevent it from progressing to kidney failure, requiring kidney dialysis or kidney transplantation. Speak to your healthcare provider if you have any risk factors or warning signs. (www.kidney.org).

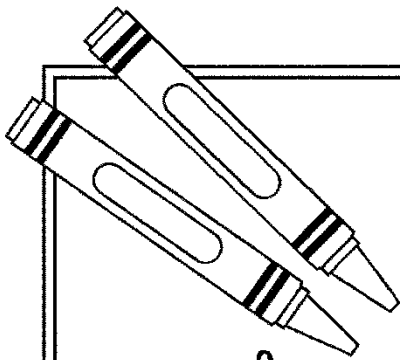
“Good understanding gains favor, but the way of the unfaithful is hard. Every prudent man acts with knowledge, but a fool lays open his folly.”

—Proverbs 13:15, 16.

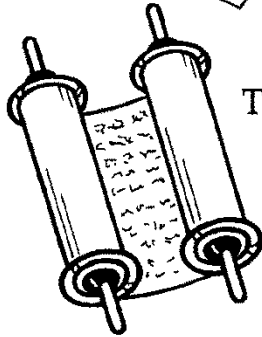
—Deb Oehling, R.N.

—Jill Schafer, Parish Nurse

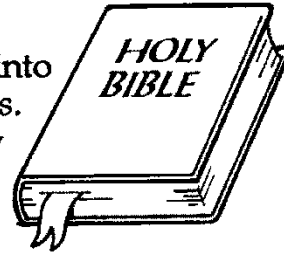
Fisher Titus Health Ministry



Just for **KIDS**



The Bible we use is translated into English from other languages.
"Translate" the verse below using the code.



Y
 ☆ ⇒ ◆ ◆ ● ☆

W
 ▶ † ▼ ▲ † ☆ ▼

F W
 ● ▲ † ☆ ● ☆ † ▼ □

W
 ⇒ ▲ † ▶ † ▼ ▲ †

W
 ☆ ▼ ☆ † → ☆

U
 ▲ † † ▶ ☆ → ⇒ ▲ † ● ▲ ☆

-Proverbs 3:13

| | | | |
|-------------|-------|-------|--------|
| Code | E = † | L = ■ | R = ▶ |
| | G = ☆ | M = □ | S = ☆ |
| | A = ⇒ | H = ☆ | SH = ♥ |
| | B = ✕ | I = ● | T = → |
| | D = † | K = ○ | TH = ▶ |

Did you say...chocolate?

Women's Fellowship:

Chocolate Party

Tuesday, March 1, 2011

Church Fowler room at 7:00pm.

Bring a favorite food item to dip in chocolate.

--Women's Fellowship Pauline Malone

Secret Prayer Pal Program:

A reminder to all participants of the Secret Prayer Pal program, please continue to remember and pray for your pal. The program year ends in April.

There will be a gathering to reveal and draw new ones for next year on Wednesday, April 6th at 7 p.m. in the Fowler room.

—Becky Coleman

Stein Hospice Labyrinth Program

The public can now experience the meditative walk of a labyrinth thanks to Stein Hospice. Staff members are available to bring a portable labyrinth (24 feet in diameter) to local churches to conduct free programs. A labyrinth has been used for centuries by people of all cultures for healing, insight and relaxation.

In addition, the labyrinth is available for open walks on the second Monday of every month at the Sough Campus of Firelands Regional Medical Center, 1912 Hayes Avenue, Sandusky. The labyrinth is set up in the community room, on the ground floor, from 4 p.m. to 7 p.m. For more information contact JoAnn Didion, at 419-625-5269.

Sacred Art of Living and Dying

An innovative training program called “the Sacred Art of Living and Dying” will be held March 11 and 12th from 9:00 a.m. to 6 p.m. at Sawmill Creek Lodge in Huron. The Series consists of four units, but units do not have to be taken in order.

The Sacred Art of Living and Dying, sponsored by Stein Hospice focuses on making life’s final journey as comfortable as possible. Through discussion, hands-on experience and practical skills, participants will learn how to alleviate the spiritual pain associated with dying. Anyone, regardless of profession, spiritual background or previous experience is welcome to participate. Continuing education hours are available.

Cost is \$250 after February 25, 2011. Contact Rachel Berry, 419-625-5269, or
rberry@steinhospice.org

—Stein Hospice Information

March Birthdays & Anniversaries

| | |
|----------|---------------------------|
| March 3 | Don & Bev Hupfer |
| March 3 | Chip & Olga Shover |
| March 3 | Devon Turton |
| March 4 | Grant Coleman |
| March 5 | Mike & Deb Dehling |
| March 5 | Clara Neiding |
| March 5 | Jean Daniels |
| March 6 | Paul & Sue Wilson |
| March 6 | Ron Nemire |
| March 6 | Taylor Jamison |
| March 8 | Richard & Kathryn Kormish |
| March 8 | Bryce Mullen |
| March 8 | Garryn Snyder |
| March 9 | Grace Carter |
| March 12 | Bob Schuster |
| March 13 | George Knittle |
| March 14 | Diane Willis |
| March 15 | Luanne Koelsch |
| March 16 | Javin Jaques |
| March 18 | Bryan Nemire |
| March 19 | Barb Bement |
| March 21 | Joe & Martha Burnham |
| March 21 | Scott & Lori Stith |

| | |
|----------|--------------------------|
| March 22 | Ron & Jennifer Lindner |
| March 22 | Lou Ann Gioffre |
| March 24 | Pete Hill |
| March 25 | Richard Hughes |
| March 25 | Paul Malone |
| March 26 | Reese Dehling |
| March 27 | Nancy Shover |
| March 28 | Francis & Jeannine Johns |
| March 30 | Jeff Beatty |
| March 31 | Sam Deehr |

Upcoming Events:

Community Easter Egg Hunt is

Saturday, April 16, with April 23rd as the rain date. It will begin at 10:00a.m. (Behind the school at the Memorial Park.) Donations may be given to Bobette Nemire or checks may be written out to the Berlin Heights Community Center. **—Bobette Nemire**

GodGirls in Motion Retreat

GodGirls In Motion is made up of a group of women, from many different Christian denominations, all with the passion of helping women grow deeper in their faith. Their goal is for women to leave the conference refreshed, encouraged and moved to deeper in their spiritual walk. The Retreat is at Kalahari Resort on April 1-2, 2011.

Contact church office for more information or check the bulletin board. —church bulletin

Church Choirs

If you are interested in vocal (**Marianne Snyder** 419-554-0720) or bell choir (**Linda Phillips** 419-588-2497) there is room for more. Give Marianne or Linda a ring!

—Music Committee

Women's Fellowship Guest Night:

Tuesday, April 5th Mystery Dinner in Fowler Room at 6:30p.m.

Open to all. Details forthcoming.

March Worship Leaders:

| | | |
|----------------|-------------------|---|
| Mar. 6 | Ushers: | Roger Wallace, Bill Coleman Alexis Burnham, Norma Robson |
| | Acolytes: | |
| | Liturgist: | Nan Link |
| | Children's Story: | Rev. Gary Proietti |
| | Nursery: | |
| | Coffee Host: | Congregation |
| Mar. 13 | Ushers: | Roger Wallace, Bill Coleman Alexis Burnham, Norma Robson |
| | Acolytes: | |
| | Liturgist: | Pauline Malone |
| | Children's Story: | Pauline Malone |
| | Nursery: | |
| | Coffee Host: | Pauline Malone |
| Mar. 20 | Ushers: | Roger Wallace, Bill Coleman Alexis Burnham, Norma Robson |
| | Acolytes: | |
| | Liturgist: | |
| | Children's Story: | Nancy Wallace |
| | Nursery: | |
| | Coffee Hosts: | Burnham Family |
| Mar. 27 | Ushers: | Roger Wallace, Bill Coleman Alexis Burnham, Norma Robson |
| | Acolytes: | |
| | Liturgist: | Bill Deehr |
| | Children's Story: | Wilma Jean Kernell |
| | Nursery: | |
| | Coffee Hosts: | Diaconate |